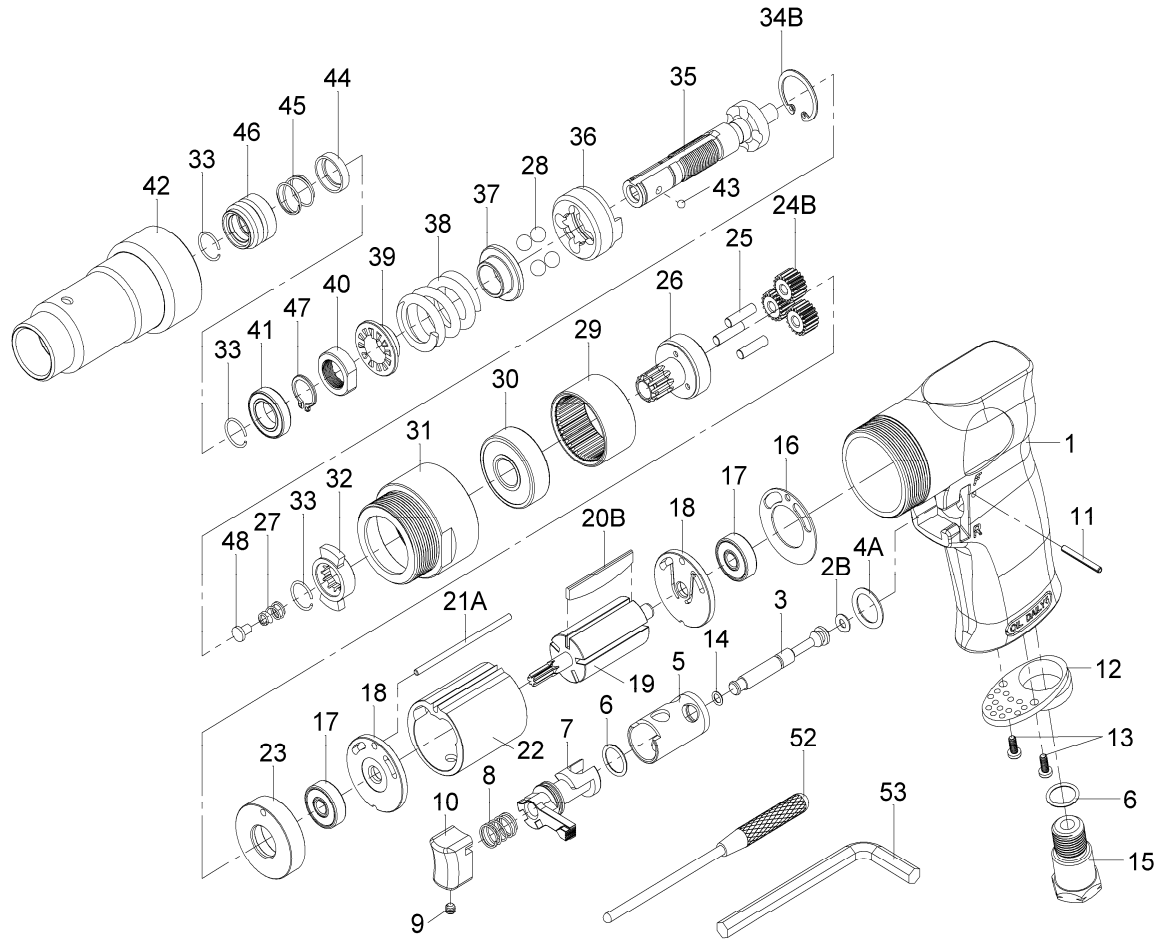


1/4" Adjustable Clutch Air Screw Driver



NO	PART NO	DESCRIPTION	Q'TY	NO	PART NO	DESCRIPTION	Q'TY
1	83ABA-402-00AAAA	Housing	1	26	83GC-A354	Idler Gear Plate	1
2B	82N52-J040*20	O-ring	1	27	82S3-07*52*71*100	Spring	1
3	83VCF-402	Valve Stem	1	28	82N36-SW20	Steel Ball	4
4A	82N52-J128*24	O-ring	1	29	83GA-402	Thread Ring Gear	1
5	83VBC-402	Reverse Bushing	1	30	82N35-6201ZZC0-C	Ball Bearing	1
6	82N52-J110*15	O-ring	2	31	83AAF-354	Clamp Nut	1
7	83VAB-402	Reverse Valve	1	32	83HBCB-354	Drive Cam	1
8	82S1-07*100*130	Valve Spring	1	33	82N2C-10*108	Thrust Ring Lock	3
9	82B07-SM04*004	Set Screw	1	34B	82N2R-21	Retainer Spring	1
10	83VDP-402	Set Screw Trigger	1	35	83HACB-354-1	Anvil	1
11	82N41-25*220	Spring Pin	1	36	83HDCB-354	Clutch Carrier	1
12	83VKP-401	Exhaust Diffuser	1	37	83DADE-354	Clutch Washer	1
13	82B03-SM03*008	Screw	2	38	82S1-40*245*260B	Clutch Spring(Black)	1
14	82N52-J040*10	O-ring	1	39	83DAFG-354	Clutch Upper Washer	1
15	83VFF-401-1	Air Inlet	1	40	83DEBG-354	Adjust Ring	1
16	82GB-402-C	Motor Gasket	1	41	82N35-6801ZZC0-D	Ball Bearing	1
17	82N35-626ZZC0-C	Ball Bearing	2	42	83AEF-354	Clutch Case Assembly	1
18	83MDG-402	End Plate	2	43	82N36-SW10	Locating Steel Ball	1
19	83MAS-402	Rotor	1	44	83DABE-121*165*038	Thrust Ring	1
20B	83MEH-201-2	Rotor Blades	5	45	82S1-10*140*090	Retaining Sleeve Spring	1
21A	82N42-S25*560	Pin	1	46	83DGS-354	Retaining Sleeve	1
22	83MBG-402	Cylinder	1	47	82N2S-12	Retaining Ring	1
23	83MCG-402	Front Bearing Plate	1	48	82N45-E354	Top Pin	1
24B	83GG-A402	Idler Gear	3	52	83DCD-M40*1000-E	Lock Wrench	1
25	82N42-S40*150	Idler Gear Pin	3	53	83DCA-W20	Hex. Wrench (1/4")	1